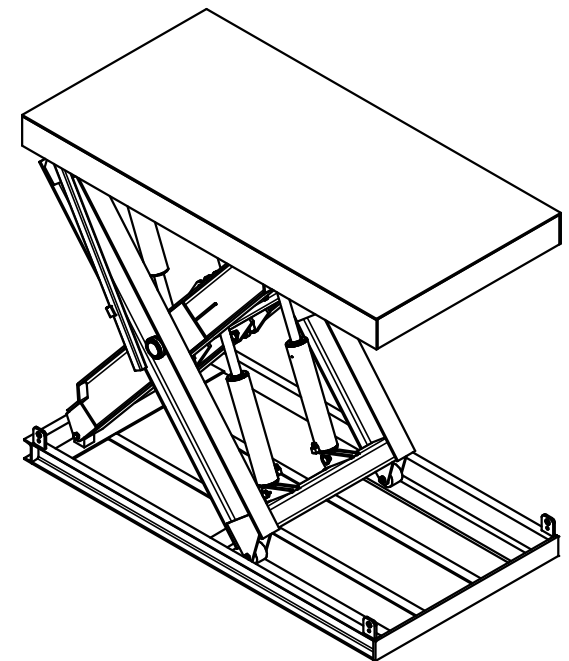
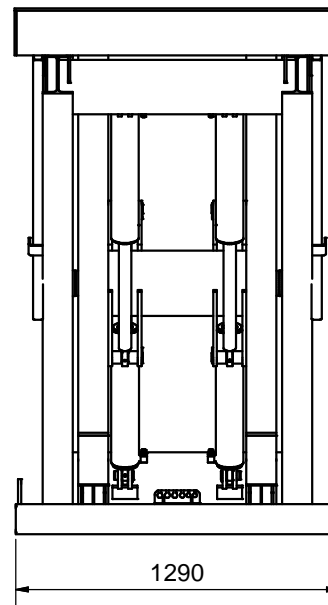
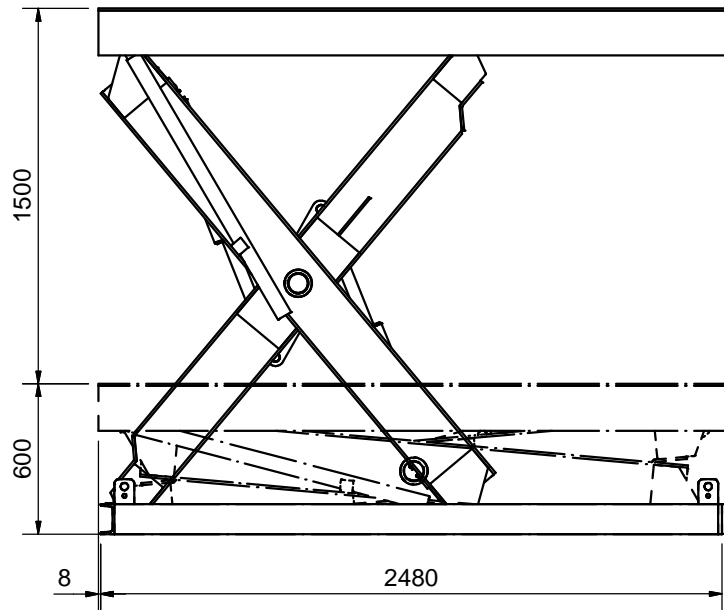



This document must not be copied without our written permission, and the contents thereof must not be imparted to a third party nor be used for any unauthorized purpose. Contravention will be prosecuted.



Lyftbord		Drawn	HANVI	Date	2015-11-04
Sammanställning		Scale	1:20	Est. weight	845,5 kg
TT 10000 (2500x1300)		Document kind		Konstruktionsritning	
	General tolerances for dimensions without indication according to	System	Inventor		Drawing no
	ISO 2768-m	Sheet size	A3		33070
					Revision
					D