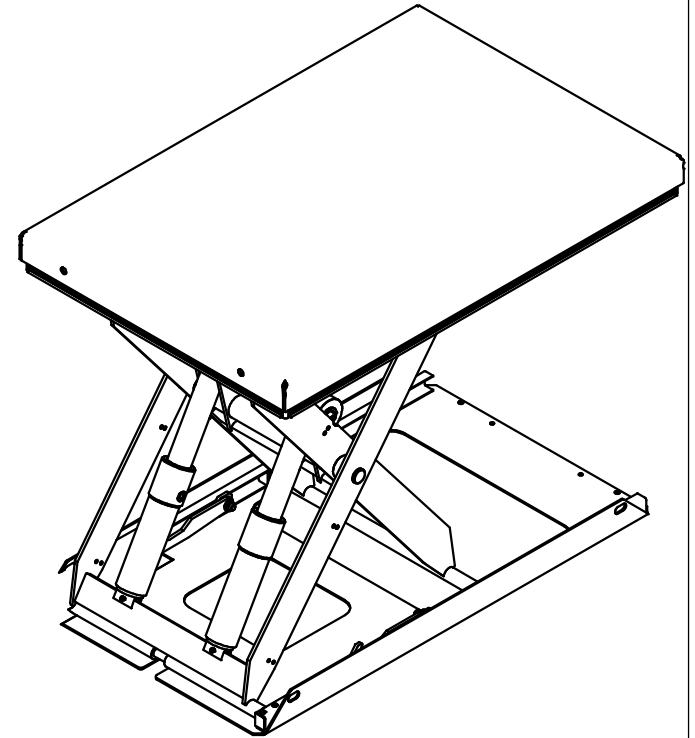
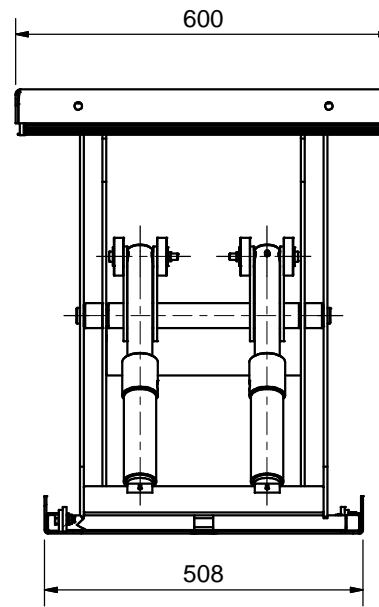
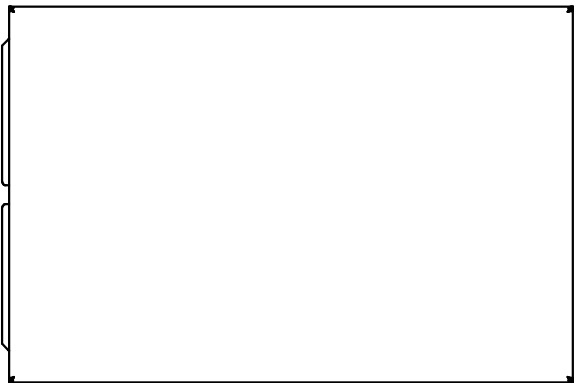
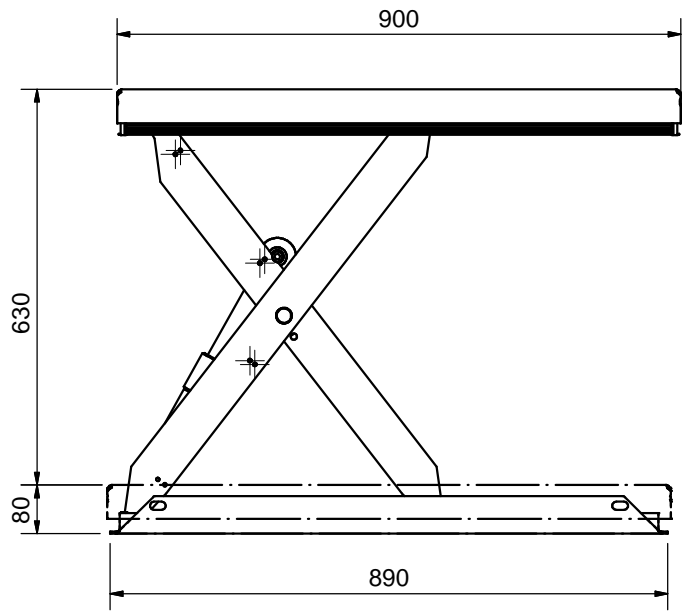



This document must not be copied without our written permission, and the contents thereof must not be imparted to a third party nor be used for any unauthorized purpose. Contravention will be prosecuted.



Lyftbord Sammanställning TCR 500 (900x600)		Drawn <b>ROBBE</b>	Date 2011-01-20
		Scale 1:8	Est. weight N/A
		Document kind Konstruktionsritning	
 General tolerances for dimensions without indication according to ISO 2768-m	System <b>Inventor</b>	Drawing no <b>34919</b>	Revision <b>E</b>
	Sheet size <b>A3</b>		