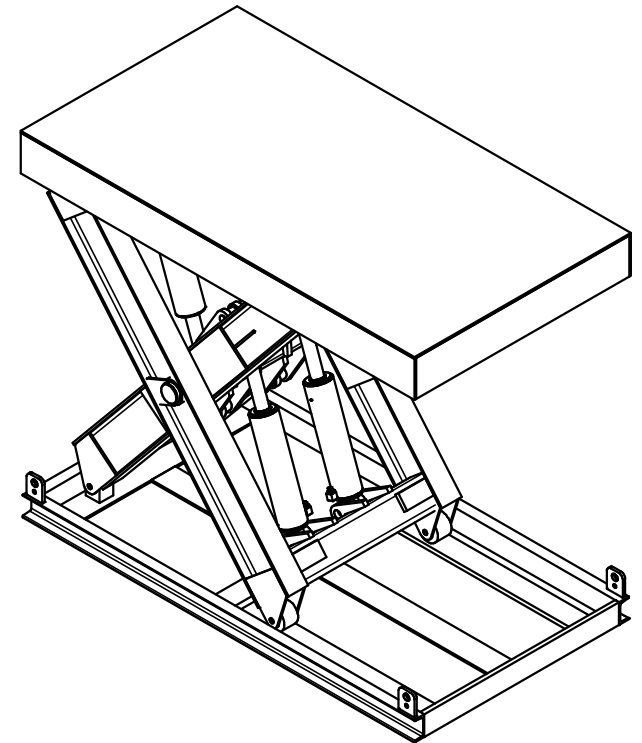
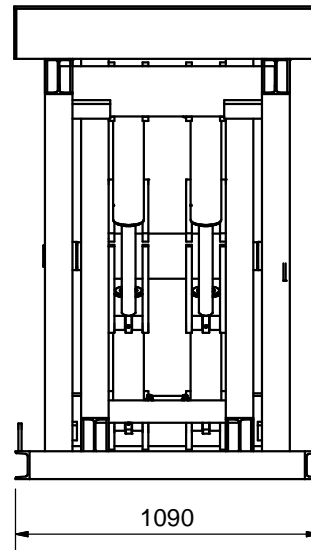
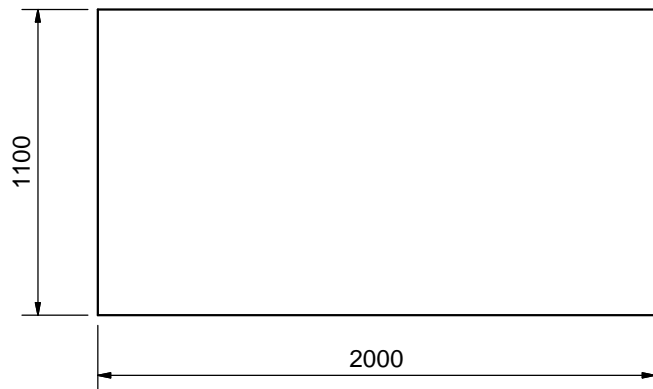
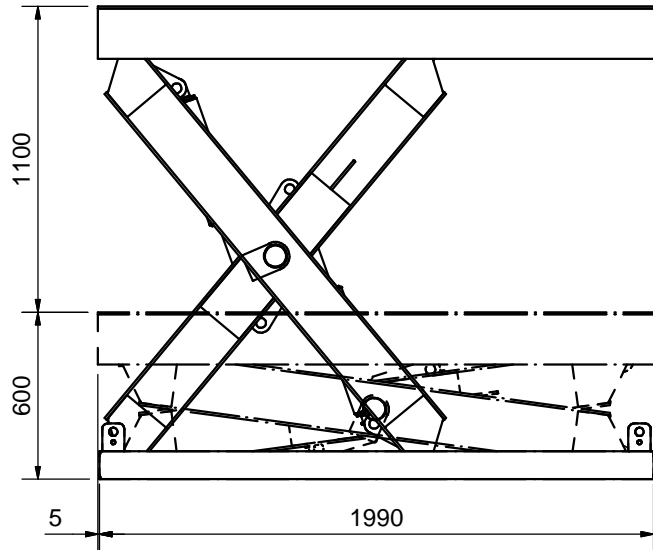



This document must not be copied without our written permission, and the contents thereof must not be imparted to a third party nor be used for any unauthorized purpose. Contravention will be prosecuted.



Lyftbord		Drawn	HANVI	Date	2015-11-06
Sammanställning		Scale	1:18	Est. weight	941,4 kg
TA 10000		Document kind	Konstruktionsritning		
	General tolerances for dimensions without indication according to	System	Drawing no		Revision
	ISO 2768-m	Inventor	33240		-
		Sheet size			
		A3			